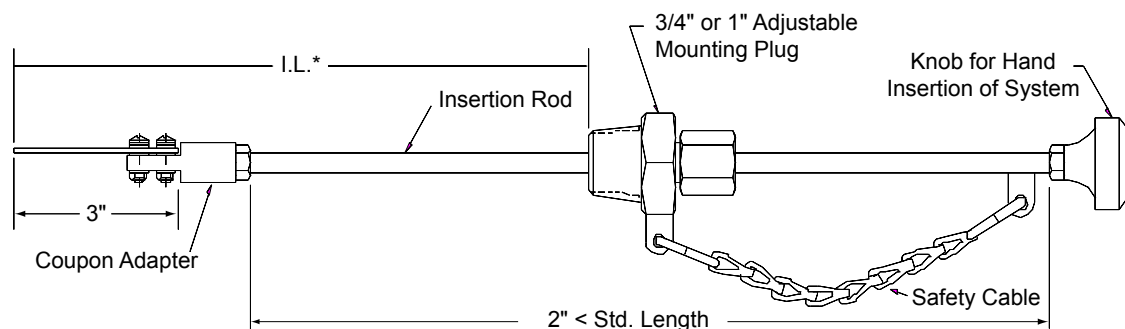


# Model SR3000

## Low Pressure Adjustable Coupon Insertion System



**Model SR3000** coupon insertion system is an adjustable unit commonly used in the water treating industry. The system is designed to mount onto a 1" piping system, but can easily be adapted to fit your specific requirements. The system consists of an insertion rod with a coupon adapter. The standard assembly is available with 3/4" or 1" NPT threads on the mounting plug. A safety cable and safety nut are also provided to prevent blowout. Several coupon holders and lengths are available.

**Note:** Since the adjustable mounting plug on the SR3000 is not a packing gland, some system leakage may occur if retracted or inserted into a pressurized system. Therefore, this model is suggested for use only in non-hazardous systems.

\*The insertion length (I.L.) shown here is based on a standard Metal Samples part #CO118 coupon and may vary for other coupons depending on the coupon length and hole location.

### Specifications:

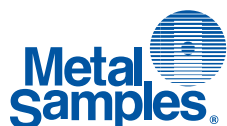
**Body** - 316 Stainless Steel

**Temperature Rating** - 100°F

**Pressure Rating** - 125 PSI / 8.5 Bar

**Mounting** - 3/4" or 1" NPT

Std. Length	I.L. (max)
18"	16.5"
24"	22.5"
30"	28.5"
36"	34.5"
42"	40.5"



### Metal Samples Company

A Division of Alabama Specialty Products, Inc.

152 Metal Samples Rd., Munford, AL 36268 Phone: (256) 358-4202 Fax: (256) 358-4515

E-mail: [msc@alspi.com](mailto:msc@alspi.com) Internet: [www.metalsamples.com](http://www.metalsamples.com)

Houston Office: 6327 Teal Mist Lane, Fulshear, TX 77441 Phone: (832) 451-6825

## SR3000 Ordering Information

Model					
SR32	Low Pressure Adjustable Coupon Insertion System with 3/4" NPT				
SR33	Low Pressure Adjustable Coupon Insertion System with 1" NPT				
<b>Insertion Rod &amp; Mounting Material</b>					
22	316				
44	C276				
<b>Coupon Options</b>					
010	Fits P/N CO100				
030	Fits P/N CO118				
<b>Length</b>					
18	16.5 inches max. insertion length				
24	22.5 inches max. insertion length				
30	28.5 inches max. insertion length				
36	34.5 inches max. insertion length				
42	40.5 inches max. insertion length				
<b>Coupon Adapter and Insulators</b>					
1	Coupon adapter same material as rod, Teflon® insulators				
2	Teflon® coupon adapter, Teflon® insulators				
4	Coupon adapter same material as rod, nylon insulators (standard)				
5	Nylon coupon adapter, nylon insulators				
<b>SR32</b>	<b>22</b>	<b>030</b>	<b>18</b>	<b>4</b>	<b>Example of Probe Ordering #</b>

For alloys, sizes, or other special requirements not listed, contact our sales department.