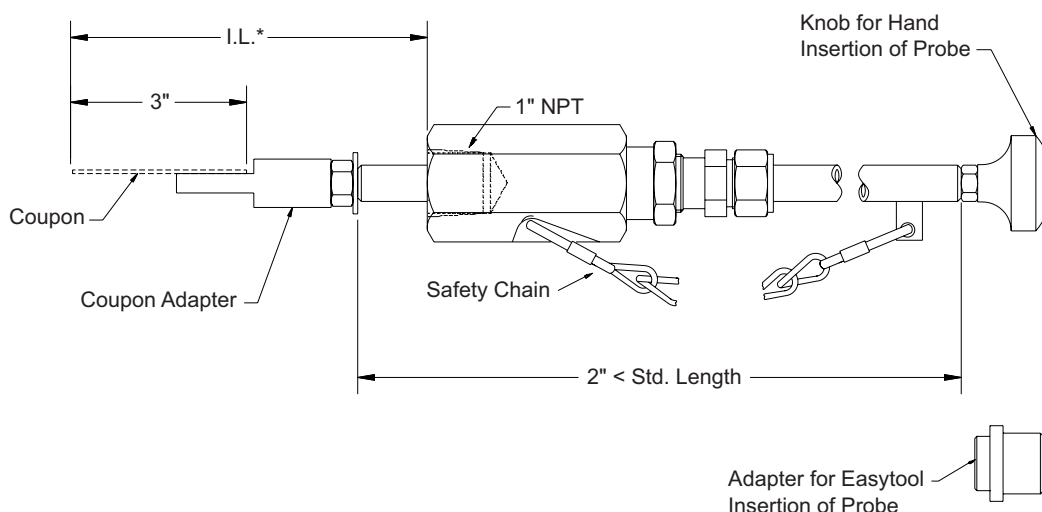


Model RT4000

Coupon Insertion System Retractable with Packing Gland



Model RT4000 coupon insertion system is a retractable unit commonly used in field and plant applications. A specially designed packing gland is used to insert or retract a coupon from a pressurized system without a process shutdown. The insertion system is designed to mount onto a 1" piping system, but can easily be adapted to fit your specific requirements. The system consists of an insertion rod with a coupon adapter, and a packing gland. A safety chain and safety nut are also provided to prevent blowout. Standard packing material in the packing gland is Teflon®, however, Grafoil® packing can be provided for high temperature applications. (Special consideration must be given to the insulator material selection for high temperature applications. Contact our sales department for assistance.) Several coupon holders and lengths are available. *The insertion length (I.L.) shown here is based on a standard Metal Samples part #CO118 coupon and may vary for other coupons depending on the coupon length and hole location.

Specifications:

Probe Body - 316 Stainless Steel

Temperature Rating - 500° F / 260° C - Teflon®

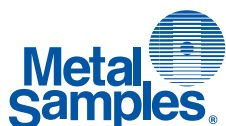
850° F / 454° C - Grafoil®

Pressure Rating - 2000 PSI / 138 Bar

Mounting - 1" Full Port Valve (Min.)

Std. Length	IL (max)
24"	18.54"
30"	24.54"
36"	30.54"
42"	36.54"

The Easy Tool is required for probe insertion or retraction in systems with pressure over 150 pounds.



Metal Samples Company

A Division of Alabama Specialty Products, Inc.

152 Metal Samples Rd., Munford, AL 36268 Phone: (256) 358-4202 Fax: (256) 358-4515

E-mail: msc@alspi.com Internet: www.metalsamples.com

Houston Office: 6327 Teal Mist Lane, Fulshear, TX 77441 Phone: (832) 451-6825

RT4000 Ordering Information

Model						
RT45	Retractable Coupon Insertion System 1" Female NPT, Packing Gland with Teflon®					
RT75	Retractable Coupon Insertion System 1" Female NPT, Packing Gland with Grafoil®					
RT00	Retractable Coupon Insertion System Replacement Insertion Rod					
Insertion Rod & Mounting Material						
20	316 (when ordering only Insertion Rod - RT00)					
22	316					
40	C276 (when ordering only Insertion Rod - RT00)					
44	C276					
Coupon Options						
010	Fits P/N CO100					
030	Fits P/N CO118					
040	Fits P/N ES200 (Cylindrical Coupons)					
050	Fits P/N CO111					
060	Fits P/N CO220					
Length						
24	18.54 inches max. insertion length					
30	24.54 inches max. insertion length					
36	30.54 inches max. insertion length					
42	36.54 inches max. insertion length					
Coupon Adapter and Insulators						
1	Coupon adapter same material as rod, Teflon® insulators					
2	Teflon® coupon adapter, Teflon® insulators					
3	Coupon adapter same material as rod, ceramic insulators					
4	Coupon adapter same material as rod, nylon insulators					
5	Nylon coupon adapter, nylon insulators					
6	Coupon adapter same material as rod, no insulators					
Rod Length (Multi Disc CO220 Coupons Only)						
-LLLL	Length in inches, stated in 2 decimal place format. Round calculated length down to the nearest 1/8". (Ex: 5 1/8" = 0512)					
RT45	22	030	24	6	-0512	Example of Probe Ordering #

For alloys, sizes, or other special requirements not listed, contact our sales department.