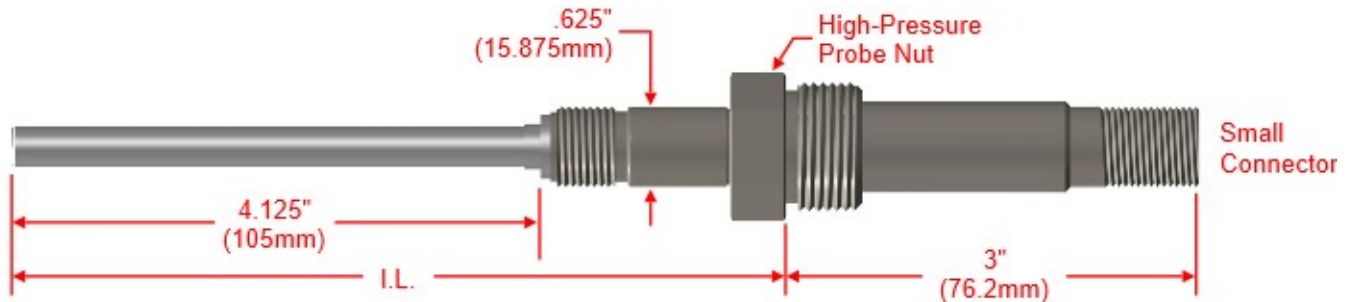


Model ER7100-ME

Special* ER Probe with Cylindrical Element

Retrievable Type for use in High Pressure (HP™ and MH™) Access Systems



Model ER7100-ME series of probes operates based on the ER technique, and is specially designed for use with high resolution instruments from other suppliers. Model ER7100-ME probes are manufactured using superior materials and techniques to provide improved performance. Better potting materials ensure greater stability by improving heat-transfer efficiency, while laser-welded wire connections extend the functional temperature range of the probe, and ensure reliable, low-resistance connections.

Model ER7100-ME is a fixed-length, cylindrical-type, retrievable probe for use with HP™ and MH™ high pressure access systems. This allows the probe to be installed in the process, using a retrieval tool and service valve, without process shutdown. The insertion length (I.L.) can range from a minimum of 5" up to any length specified by the customer in 1/8" increments, using the formula:

$$\text{I.L.} = \text{PD} + \text{WT} + 1.75''$$

(where PD = penetration depth, WT = wall thickness)

Note: Formula valid for access fitting heights of 5.25" (HP) and 5.5" (MH).

The cylindrical element is all-welded and does not utilize a non-metallic seal. This extends its operating range and makes it ideal for higher temperature applications. Velocity shields are available for high-flow systems.

Specifications:

Probe Body - 316 Stainless Steel (other materials available upon request)

Element Seal - Metal / All-Welded

Fill Material - Ceramic

Temperature Rating - 500°F / 260°C

Pressure Rating - 3600 PSI / 245 Bar

Mounting - High Pressure (HP or MH) Access System with Hollow Plug

**ER7100-ME is designed to be compatible with high-resolution or "high speed" instruments from other manufacturers. For the Metal Samples standard probe see model ER7100.*



Metal Samples Company

A Division of Alabama Specialty Products, Inc.

152 Metal Samples Rd., Munford, AL 36268 Phone: (256) 358-4202 Fax: (256) 358-4515

E-mail: msc@alspi.com Internet: www.metalsamples.com

Houston Office: 6327 Teal Mist Lane, Fulshear, TX 77441 Phone: (832) 451-6825

Model ER7100-ME Ordering Information

Model								
HR	High-Resolution ER Probe for use in High Pressure (HP™ and MH™) Access Systems							
	Body Material							
	2	316L Stainless Steel						
	3	C276						
		Connector Type						
		5	Small/Threaded Connector					
			Element Type					
			50	CT10 Cylindrical - 10 mil thickness (5 mil useful probe life)				
			60	CT20 Cylindrical - 20 mil thickness (10 mil useful probe life)				
			70	CT50 Cylindrical - 50 mil thickness (25 mil useful probe life)				
				Length				
			XXXX	Length in inches, stated in 2 decimal place format (Ex: 6 1/8" = 0612)				
				Element Alloy ¹				
				375	Pipe-Grade Carbon Steel ²			
				141	304L Stainless Steel			
				159	316L Stainless Steel			
				Shield Options				
				00	N/A - No Shield			
				01	Standard Shield			
				02	High-Velocity Shield			
				Wiring				
				-ME	Special			

HR	2	5	60	0750	375	01	-ME	Example Part#
----	---	---	----	------	-----	----	-----	----------------------

¹ Other element alloys available. Consult factory.

² Chemically equivalent to common pipe-grade carbon steels.