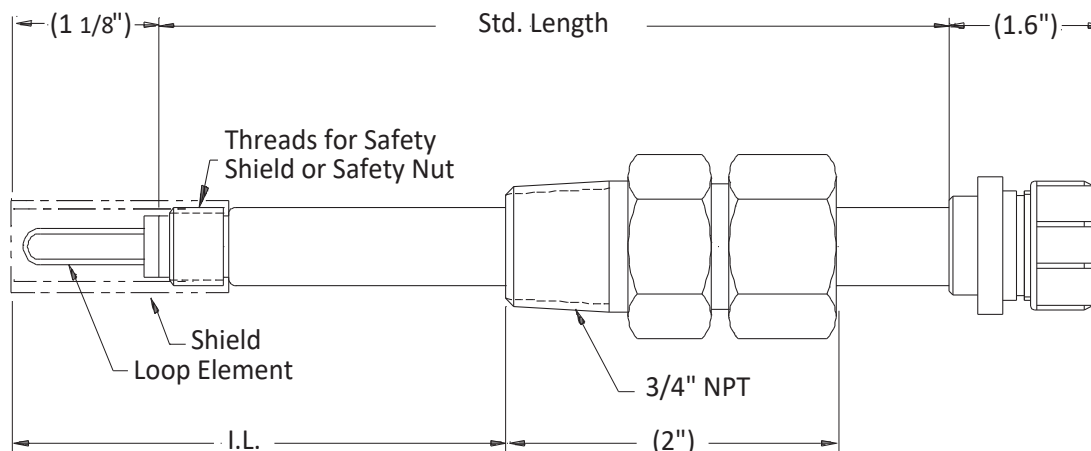


Model ER3000

Electrical Resistance Probe

Adjustable Length with 3/4" NPT Pipe Plug and Loop Element



Model ER3000 is an adjustable-length, electrical resistance probe with a 3/4" NPT compression fitting. The compression fitting allows the probe to be inserted into the process to the required length. The probe requires process isolation or process shutdown to install and a threaded pipe fitting to mount. The probe consists of an insertion rod with an element, a hermetically sealed connector, a 3/4" compression fitting, and a safety nut to prevent blow out. A velocity shield can be added to the assembly if required. The insertion length (I.L.) is calculated to the end of the shield or to the end of the element if a shield is not present. Probe length can be specified by the customer. For standard probes, the maximum insertion length is given in the chart below. Several standard elements are available to meet your specific needs.

Specifications:

Probe Body - 316 Stainless Steel

Element Seal - Glass or Teflon®

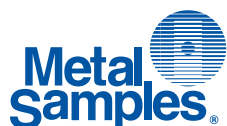
Fill Material - Ceramic

Temperature Rating - 500°F / 260°C

Pressure Rating - 1500 PSI / 102 Bar

Mounting - 3/4" NPT Fitting

| Std. Length | IL (max) |
|-------------|----------|
| 6" | 5.33" |
| 8" | 7.33" |
| 12" | 11.33" |
| 18" | 17.33" |



Metal Samples Company

A Division of Alabama Specialty Products, Inc.

152 Metal Samples Rd., Munford, AL 36268 Phone: (256) 358-4202 Fax: (256) 358-4515

E-mail: msc@alspi.com Internet: www.metalsamples.com

ER3000 Ordering Information

| Model | | | | | | | | |
|----------------------------|--|-----------|-----------|----------|-----------|------------|-----------|------------------------------------|
| ER3 | Electrical Resistance Adjustable Pipe Plug Probe | | | | | | | |
| Pipe Plug Size | | | | | | | | |
| 2 | 3/4" NPT Pipe Plug | | | | | | | |
| 3 | 1" NPT Pipe Plug | | | | | | | |
| Probe Body Material | | | | | | | | |
| 22 | 316 | | | | | | | |
| 44 | C276 | | | | | | | |
| ER Element Options | | | | | | | | |
| 00 | WR40 Wire Loop - 40 mil thickness (10 mil useful probe life) | | | | | | | |
| 10 | WR80 Wire Loop - 80 mil thickness (20 mil useful probe life) | | | | | | | |
| 20 | TU04 Tube Loop - 4 mil thickness (2 mil useful probe life) | | | | | | | |
| 30 | TU08 Tube Loop - 8 mil thickness (4 mil useful probe life) | | | | | | | |
| Seal Type | | | | | | | | |
| 1 | Glass | | | | | | | |
| 2 | Teflon® | | | | | | | |
| 2 | Epoxy | | | | | | | |
| Length | | | | | | | | |
| 06 | 5.33 inches max. insertion length | | | | | | | |
| 08 | 7.33 inches max. insertion length | | | | | | | |
| 12 | 11.33 inches max. insertion length | | | | | | | |
| 18 | 17.33 inches max. insertion length | | | | | | | |
| Element Alloy | | | | | | | | |
| XXX | Use Code in Alloy Chart | | | | | | | |
| ER Probe Options | | | | | | | | |
| 00 | No shield | | | | | | | |
| 03 | Shield | | | | | | | |
| ER3 | 2 | 22 | 10 | 1 | 08 | 375 | 03 | Example of Probe Ordering # |

For alloys, sizes, or other special requirements not listed, contact our sales department.

| Alloy Chart | | | | | |
|-------------|----------------|--------|------|-------------|--------|
| Code | Description | UNS # | Code | Description | UNS # |
| 375 | Carbon Steel * | G10100 | 159 | 316L SS | S31603 |
| 538 | 5Cr 1/2Mo | K42544 | A12 | C276 | N10276 |
| 541 | 9Cr 1Mo | K90941 | 602 | Alloy 625 | N06625 |
| 186 | 410 SS | S41000 | 419 | CDA110 | C11000 |
| 141 | 304 SS | S30400 | 434 | CDA443 | C44300 |

Note: Not all alloys are available with all element types and seals.

* Chemically equivalent to standard pipe-grade carbon steels.