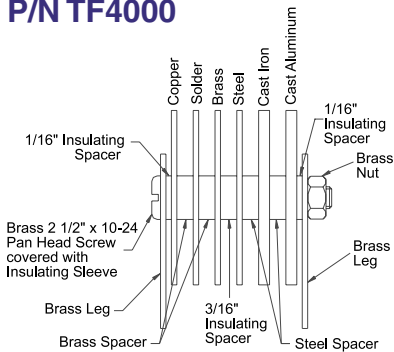


Test Apparatus

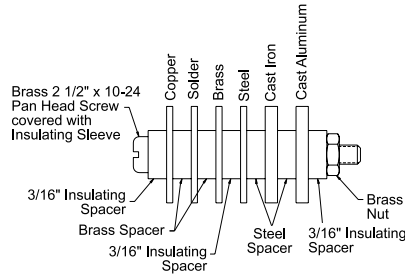
ASTM Engine Coolant Test Apparatus

P/N TF4000



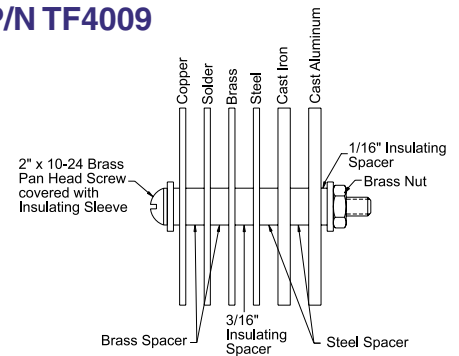
ASTM D1384 corrosion test bundle for testing engine coolants in glassware.

P/N TF4006



ASTM D2570 simulated service corrosion test bundle for testing engine coolants.

P/N TF4009



ASTM D2847 method for evaluation of engine coolants in actual vehicle service.

Engine Coolant Testing Parts

P/N	Description	P/N	Description
TF4000	D1384 Test Bundle	CO1464273504100*	Solder Coupon (30/70)
TF4006	D2570 Test Bundle	CO1464270504100	Brass Coupon (CDA260)
TF4009	D2847 Test Bundle	CO1463780504100	Steel Coupon (C1020)
TF4000A	Brass Leg	CO337B930504100	Grey Cast Iron Coupon (CL3500)
TF4000C	Insulating Sleeve (TFE)	CO3373130504100	Cast Aluminum Coupon (AL319)
TF4000D	Steel Spacer	ST1253783	1/16" Insulating Spacer (TFE)
TF4000E	Brass Spacer	09369E1024HN0000	10-24 Brass Nut
TF4000F	3/16" Insulating Spacer (TFE)	09369E1024PH2000	2" x 10-24 Brass Pan Head Screw
CO1464190504100	Copper Coupon (CDA110)	09369E1024PH2500	2 1/2" x 10-24 Brass Pan Head Screw

* Solder Coupon (30/70) is **solder coated brass**. Please specify if you require pure solder.

P/N TF2424 (Ford Test)



ASTM D4340 Heat Transfer Corrosion Assembly for evaluating the effectiveness of engine coolants in combating corrosion of aluminum casting alloys under heat transfer conditions. Available in 120V 60Hz or 240V 50Hz.

P/N TF4005

AL319 Cast Aluminum Specimen with two holes for thermocouple leads and a 600 grit finish on one side. Used in conjunction with P/N TF2424 in heat transfer corrosion testing. Other materials are available at your request.



P/N TF4012



ASTM G32 Vibratory Cavitation Erosion Test Buttons. These buttons are available in AL319 cast aluminum and grey cast iron.

Note: Metal Samples manufactures test apparatus in accordance with ASTM standards. Metal Samples does not conduct test procedures and therefore does not attempt to address testing considerations. Please consult ASTM standards for safety guidelines and additional information regarding testing procedures.