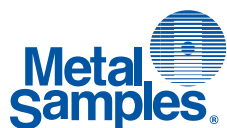
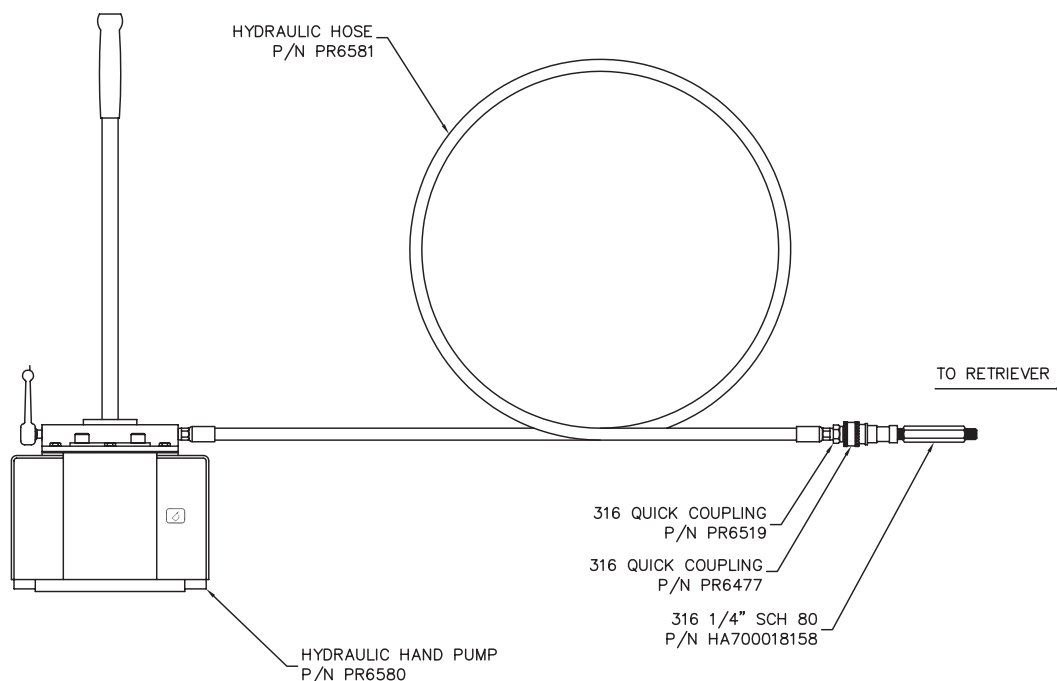


Hydraulic Back Pressure Kit (HA104000)

for use with High Pressure Retrieval Tool

Back pressuring is the concept of raising the internal pressure in the retrieval tool to slightly above the operating system pressure. This allows enhanced operation and safety as well as preventing a pressure surge into the tool during the plug insertion/removal process. The additional pressure in the retrieval tool also tends to loosen and displace any debris that may have accumulated in the fitting since the last plug exchange.

Any available pressure source that can be introduced into the retrieval tool may be used to accomplish the back pressure (examples are line pressure, inert gas, liquid, etc.). Metal Samples Company provides a hydraulic back pressure kit (HA104000) for this purpose. The hydraulic kit is rated to 5000 psi. Included in the kit is a hydraulic pump, 10' hydraulic hose and connection parts for hose attachment to the retrieval tool bleed valves. The pump has a 0.9 gallon reservoir and is manually operated so no electric or pneumatic power is required. With both forward and reverse handle movement, overall efficiency is improved.



Metal Samples Company

A Division of Alabama Specialty Products, Inc.

152 Metal Samples Rd., Munford, AL 36268 Phone: (256) 358-4202 Fax: (256) 358-4515

E-mail: msc@alspi.com Internet: www.metalsamples.com

Houston Office: 6327 Teal Mist Lane, Fulshear, TX 77441 Phone: (832) 451-6825