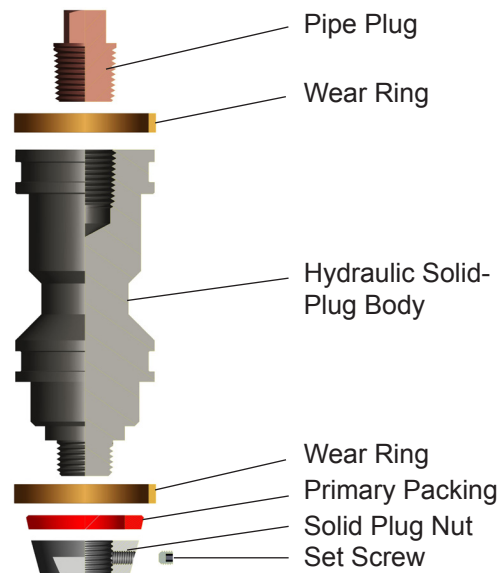


Hydraulic Solid Plug Assemblies

for High Pressure Hydraulic Access Systems

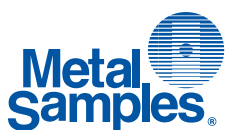
The plug assembly screws into the access fitting body and seals the bore of the fitting to contain line pressure. Solid plugs allow for mounting of coupons and coupon holders, as well as various consumable probes.

Solid Plug: Overall length - 4.9"/125mm Weight - 2.1 lbs/0.95 kg



**Hydraulic Solid Plug Assembly
HA700657158**

Description	Part No.	Material
Hydraulic Solid Plug Body	HA700010158	316 SS
Pipe Plug	HA700167	Plastic
Wear Ring (2)	PR7211785	Glass filled PTFE
Primary Packing	HA700266785	Glass filled PTFE
Solid Plug Nut	HA700210158	316 SS
Set Screw	09158E1032ST0187	316 SS



Metal Samples Company

A Division of Alabama Specialty Products, Inc.

152 Metal Samples Rd., Munford, AL 36268 Phone: (256) 358-4202 Fax: (256) 358-4515

E-mail: msc@alspi.com Internet: www.metalsamples.com

Houston Office: 6327 Teal Mist Lane, Fulshear, TX 77441 Phone: (832) 451-6825